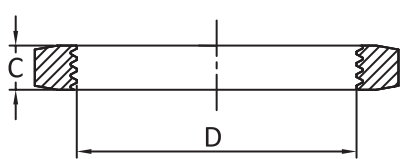
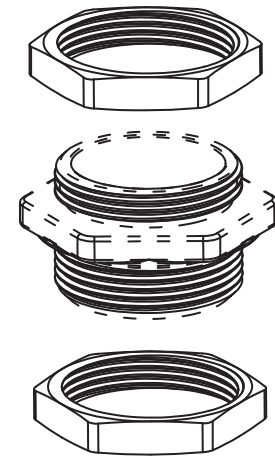
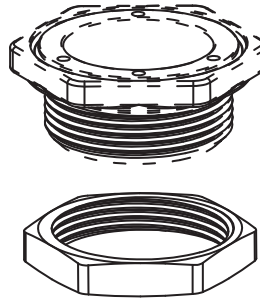
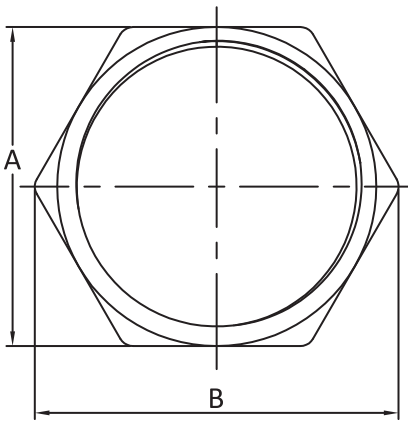
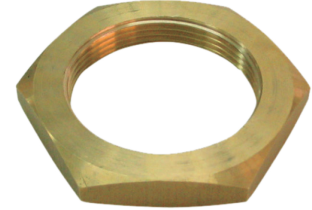


## Lock nuts for fittings, in 304, 316 stainless steel, and brass

Minimum Size	Maximum Size	Material	Type	Model
1/2"	M77 x 2	304, 316 stainless steel, and brass	Nuts	66NL (Brass) 66NI (304) 66NT (316) 66NK (Brass, Nickel plated)

### Compatible with:

<input checked="" type="checkbox"/> 66RJ	<input checked="" type="checkbox"/> 66R3
<input checked="" type="checkbox"/> 66RU	<input checked="" type="checkbox"/> 66R4
<input checked="" type="checkbox"/> 66RK	<input checked="" type="checkbox"/> 66R5
<input checked="" type="checkbox"/> 66RV	<input checked="" type="checkbox"/> 66R6
<input checked="" type="checkbox"/> 66RO	<input checked="" type="checkbox"/> 66R7
<input checked="" type="checkbox"/> 66RP	<input checked="" type="checkbox"/> 66R8
<input checked="" type="checkbox"/> 66RQ	<input checked="" type="checkbox"/> 66R9
<input checked="" type="checkbox"/> 66RR	<input checked="" type="checkbox"/> 66RW
<input checked="" type="checkbox"/> 66R2	<input checked="" type="checkbox"/> 66RY



	1/2"	3/4"	1"	1-1/4"	1-1/2"	M45x2	2"	2-1/2"	M77x2
A	Hex 44	Hex 44	Hex 44	Hex 50	Hex 52	Hex 52	Hex 65	Hex 85	Hex 85
B	24	30	50	57	59	59	74	97	97
C	3	3	5.5	6.5	8	8	8	8	8
D	1/2"	3/4"	1"	1-1/4"	1-1/2"	M45x2	2"	2-1/2"	M77x2

### Main references

### Links

Dimensions	Reference in Brass	Reference in nickel plated brass	Reference in AISI 304	Reference in AISI 304
1/2"	66NLC01230H44000	66NKC01230H44000	66NIC01230H44000	66NTC01230H44000
3/4"	66NLC03430H44000	66NKC03430H44000	66NIC03430H44000	66NTC03430H44000
1"	66NLC10055H44000	66NKC10055H44000	66NIC10055H44000	66NTC10055H44000
1-1/4"	66NLC11465H50000	66NKC11465H50000	66NIC11465H50000	66NTC11465H50000
1-1/2"	66NLC11280H52000	66NKC11280H52000	66NIC11280H52000	66NTC11280H52000
M45x2	66NLM45280H52000	66NKM45280H52000	66NIM45280H52000	66NTM45280H52000
2"	66NLC20080H65000	66NKC20080H65000	66NIC20080H65000	66NTC20080H65000
2-1/2"	66NLC21280H85000	66NKC21280H85000	66NIC21280H85000	66NTC21280H85000
M77x2	66NLM77280H85000	66NKM77280H85000	66NIM77280H85000	66NTM77280H85000



Page (.pdf)



Drawing 2D (.dwg)



Drawing 3D (.stp)

Red dimensions inside rectangular frames on drawings are used for assembly on enclosures or on fittings.

